


■ Features:

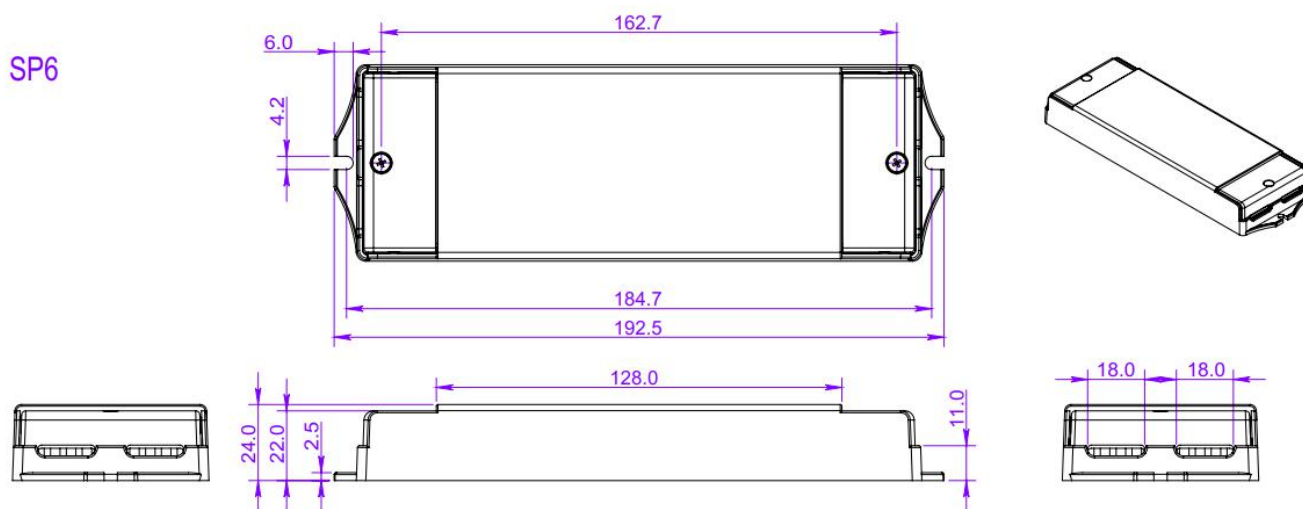
- Output constant Voltage (NFC regulation by cellphone)
- Range: 100-277VAC
- Built-in active PFC function
- Efficiency up to 88%
- Protections: short circuit/ over load/ over temperature
- Cooling by free air convection; IP20 for indoor
- Dimming curve: Logarithmic (default) and Linear
- Dimming protocol: DALI Protocol IEC62386; PUSH-DIM
- **NFC function to adjust output voltage and set address**
- Dimming range: 0-100%, LED start at 0.1% possible
- Suitable for intelligent LED lighting


■ Specification
ENEC & UL pending

Model		KV-12060-DP2	KV-24060-DP2	KV-36060-DP2	KV-48060-DP2
Output	DC Voltage	12V (12-13.5V adjust by NFC)	24V (24-26V adjust by NFC)	36V (36-38V adjust by NFC)	48V (48-50V adjust by NFC)
	Voltage Tolerance	±0.2V			
	Rated current	5A	2.5A	1.67A	1.25A
	Rated power	60W			
	Load Regulation	±1%			
Input	Standby power consumption	≤0.5W	≤0.5W	≤0.5W	≤0.5W
	Voltage Range	100-277VAC			
	Frequency Range	47 - 63Hz			
	Power Factor(Typ.)@ full load	PF≥0.98@120VAC PF≥0.95@230VAC PF≥0.92@277VAC (Full loading)			
	THD(Typ.)@ full load	≤15%@120VAC ; ≤15%@230VAC; ≤15%@277VAC			
	Efficiency(Typ.)@ full load	86%@120VAC; 88%@230VAC; 88%@277VAC;			
	AC Current(Max.)	0.8A	0.8A	0.8A	0.8A
	Inrush Current (Typ.)	20A, 220us@50%Ipeak (120VAC); 45A, 175us@50%Ipeak (230VAC); 37A, 302us@50%Ipeak (277VAC)			
Leakage current	<0.5mA				
Protection	Short Circuit	Hiccup mode, recover automatically after fault condition is removed			
	Over Load	≤120% ,hiccup mode, recover automatically after fault condition is removed			
	Over temperature	Ambient temp. over 55°C±10°C, output will be off; recovers automatically after temp. drops.			
Environ-ment	Working TEMP.	-40~+60°C (see below derating curve)			
	Working Humidity	20 - 90%RH,non-condensing			
	Storage TEM.,Humidity	-40 - +80°C,10 - 95%RH			
	TEMP.coefficient	±0.03%/°C (0 - 50°C)			
	Vibration	10~500Hz, 2G 10min./1 cycle,period for 60min. each along X,Y,Z axes			
Safety & EMC	Safety standards	EN61347-1 EN61347-2-13 (EU) & UL8750 (US)			
	Withstand voltage	I/P-O/P:3.75KVAC (EU); I/P-O/P:1.88KVAC (US)			
	Isolation resistance	I/P-O/P I/P-FG O/P-FG:100MΩ/500VDC/25°C/70%RH			
	EMC Emission	EN55015 EN61000-3-2 EN61000-3-3 (EU)≥50% Load & FCC Part 15 B (US)			
	EMC Immunity	EN61000-4-2,3,4,5,6 ,11, EN61547			

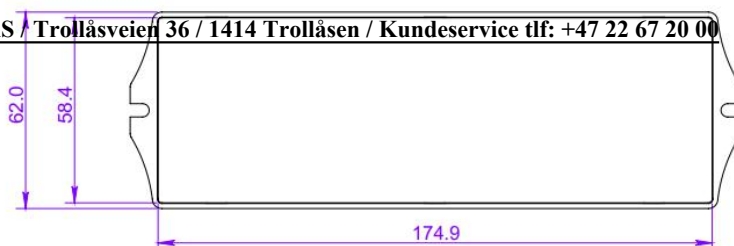
Others	Weight	0.35Kg
	Dimension	192.5x62x24mm(L*W*H)
	packing	290*215*140mm (20PCS/CTN)
Notes	1. All parameters NOT specially mentioned are measured at 120VAC/230VAC input , rated load and 25°C of ambient temperature. 2. Tolerance: includes set up tolerance, line regulation and load regulation . 3. The power supply is considered as a component that will be operated in combination with final Equipment. Since EMC performance will be affected by the complete installation, the final equipment manufactures must be-qualify EMC Directive on the complete installation again.	

■ Mechanical Specification



Light House Company AS / Trollåsveien 36 / 1414 Trollåsen / Kundeservice tlf: +47 22 67 20 00

ordre@lhc.no / www.lhc.no



※Input with DG126 terminals 3P: Live Wire AC (L), Neutral Wire AC(N)

※Output LED SEC with DG126 terminals 2P: output Positive (LED+), output negative (LED-). Connected to LED Lamps.

※DALI or PUSH Dim. terminals with DG126 terminals 2P:

when DALI dimming, signal dimming DA1, DA2 (No polar) connected to the BUS of the DALI Master;

when PUSH dimming, (N) is connected to AC (N) while white (L) is connected to Push dim switch dimmer(L) ;

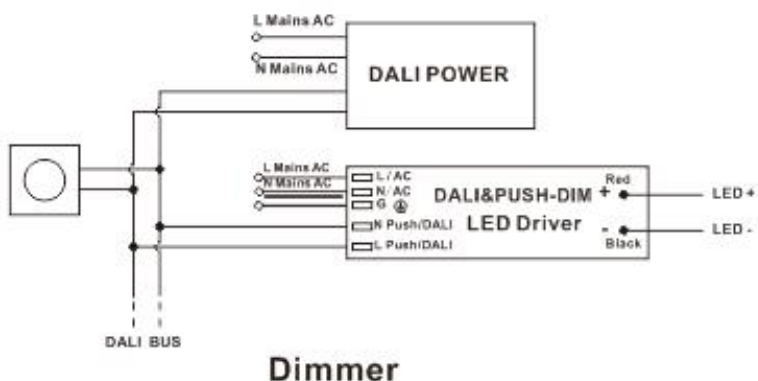
※Suggested wire diameter: Input 0.75-2mm²; Output:0.5-2mm².

※Please make sure you connect these correctly otherwise your product will not function correctly and could be damaged.

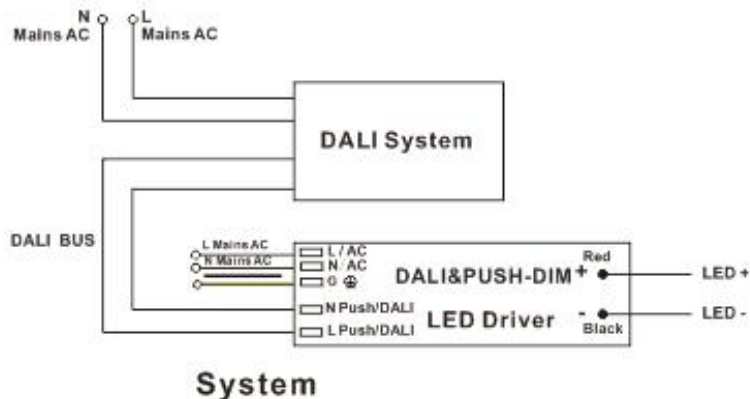
※Note: Any other requests we can customized.

Dimming Operation

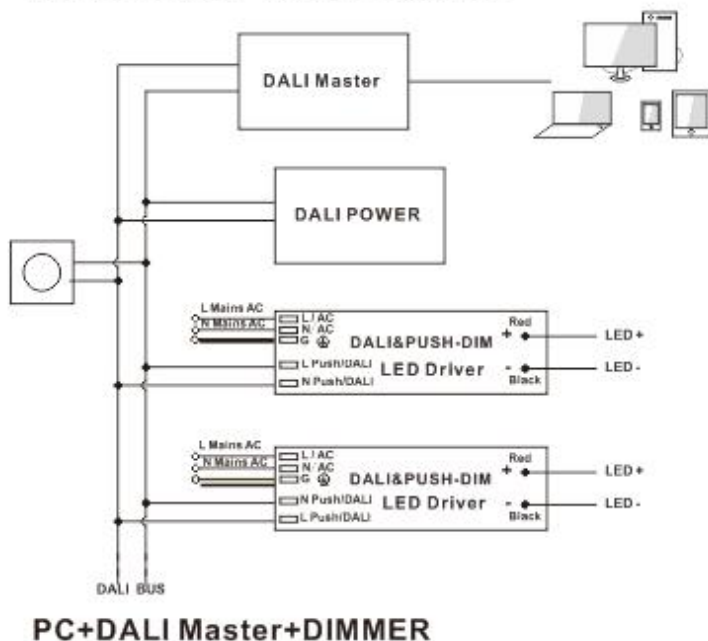
DALI Dimming Wiring Diagram1



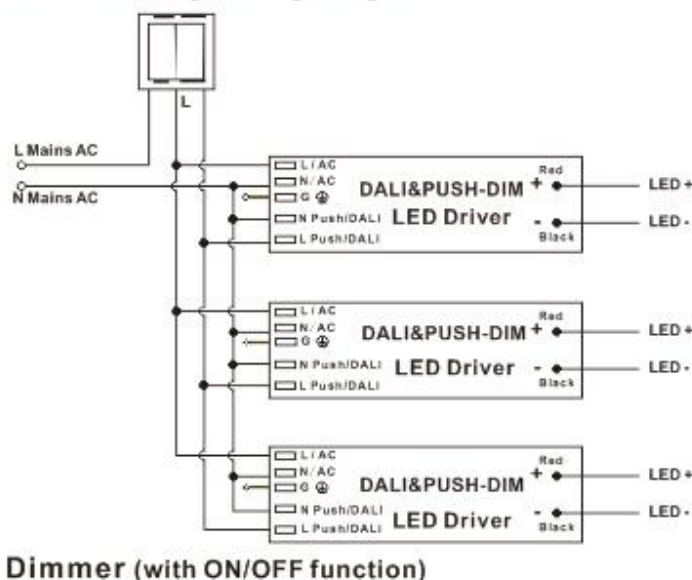
DALI Dimming Wiring Diagram2



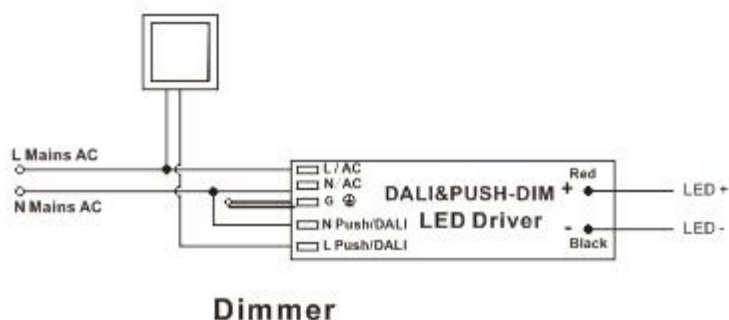
DALI Dimming Wiring Diagram3



Push-Dimming Wiring Diagram1

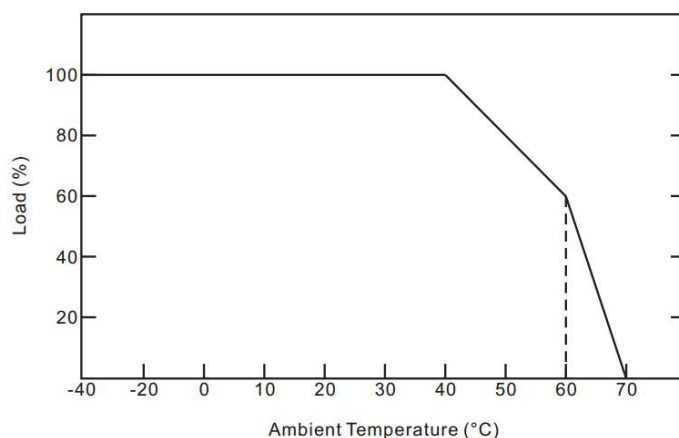


Push-Dimming Wiring Diagram2



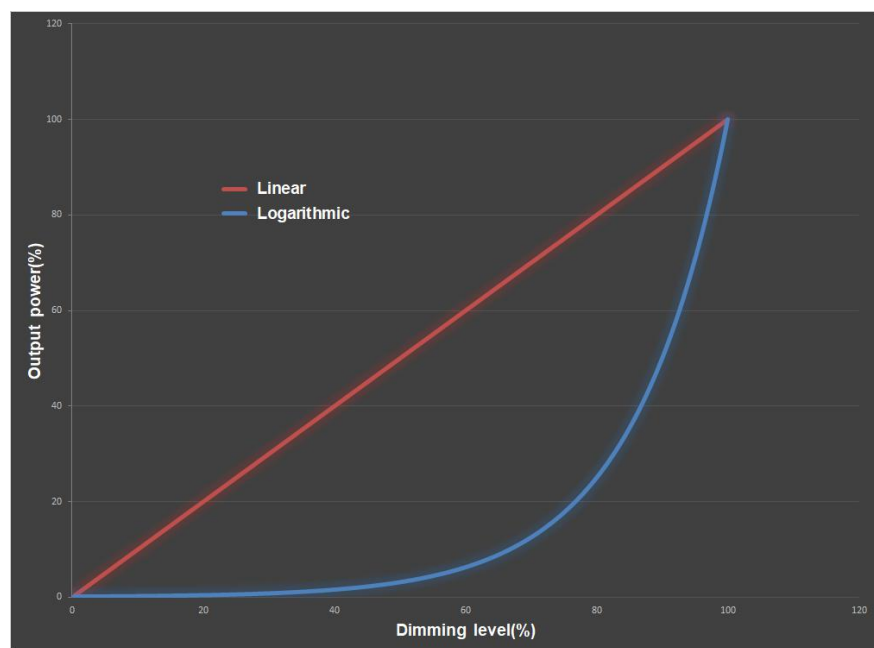
※Note: For DALI Dimming Wiring Diagram 3, please noted that only one DALI power is need in the DALI bus, so no extra DALI power is needed if the Master or Dimmer already includes the DALI Power.

■ Derating Curve



※To extend their life, please refer to the Derating Curve and derate according to the temperature.

■ Dimming Curve



Note: Dimming curve: Logarithmic (default) and Linear

■ Instruction:

- 1) This driver should be installed by qualified and professional person;
- 2) Please make sure the driver is installed with adequate ventilation around it to allow for heat dissipation.
- 3) Ensure that wiring is correct before test in order to avoid light and power supply damage;
- 4) If driver Cannot work normally, don't maintain privately;